

8 7 6 5 4 3 2 1

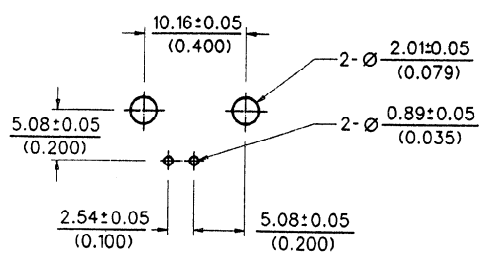
ENC. NO.

EDP NO.

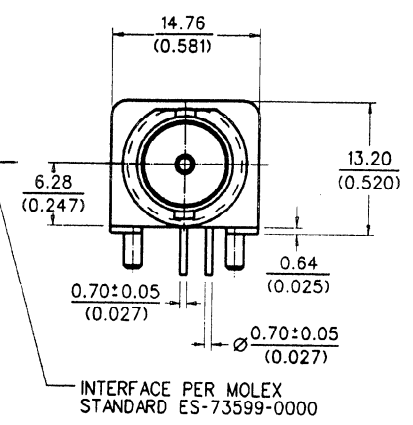
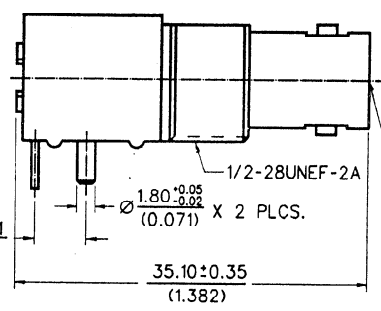
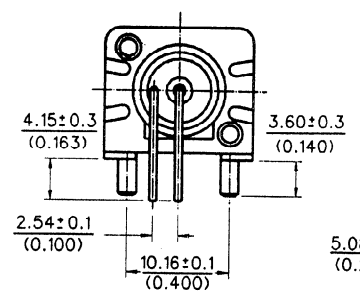
SIMILAR ITEM

PROJECT NO.

DO NOT SCALE DRAWING



PCB HOLE CONFIGURATION



CONSTRUCTION:

- BODY-----ZINC ALLOY
- HOUSING-----POLYESTER BUTYLENE TEREPHTHALATE (BLACK)
- CENTER CONTACT---PHOSPHOR BRONZE
- INSULATOR-----POLYPROPYLENE (94 V-2)
- MOUNTING POST-----BRASS
- SOLDER TAIL-----BRASS WIRE
- WASHER-----PHOSPHOR BRONZE
- NUT-----BRASS

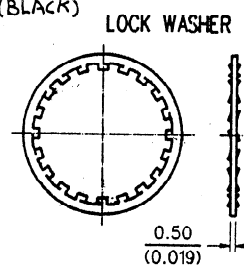
FINISH:

- BODY-----NICKEL PLATING
- CENTER CONTACT---GOLD PLATING
- SOLDER TAIL-----TIN PLATING
- MOUNTING POST-----TIN PLATING
- WASHER-----NICKEL PLATING
- NUT-----NICKEL PLATING

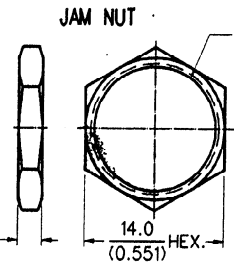
MECHANICAL & ELECTRICAL CHARACTERISTICS:
PER PRODUCT SPECIFICATION PS-73598-0051

MATERIAL & FINISHES:
PER PRODUCT SPECIFICATION PS-73598-0051

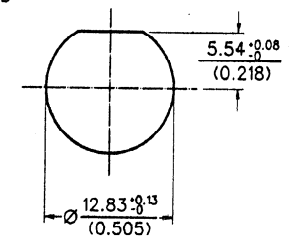
PACKAGING:
PLASTIC TRAYS



LOCK WASHER



JAM NUT



RECOMMENDED MOUNTING HOLE
MAXIMUM PANEL THICKNESS: 5.5 mm
RECOMMENDED MOUNTING TORQUE 5 inch-pounds MAX.

				MATERIAL : SEE NOTE		 MOLEX TAIWAN LTD. (R.F. DIVISION)
				FINISH : SEE NOTE		
				SCALE : 2:1 UNIT : mm/(inch)		GENERAL TOLERANCES
				DRAWN BY : C.M.HUNG 93/02/01		ANGLE : ± 3° DIM : ± .25/.010
				CHK'D BY :		DRW. NO. : SDA-73100-0067 REV A
LTR	REVISION RECORD	ECN	DR_CHK	DATE	APPR'D BY : [Signature] 93/4/1	TITLE
				STANDARD ITEM <input checked="" type="checkbox"/> YES <input type="checkbox"/> NO		75 OHMS BNC R/A PCB RECEPTACLE
				SHEET OF		

THIS DRAWING CONTAINS INFORMATION THAT IS PROPRIETARY TO MOLEX TAIWAN AND SHOULD NOT BE USED WITHOUT WRITTEN PERMISSION MXT, So - 13